



МУЗЦЕНТР
МУЗЫКАЛЬНОЕ ОБОРУДОВАНИЕ
<https://muzcentre.ru>

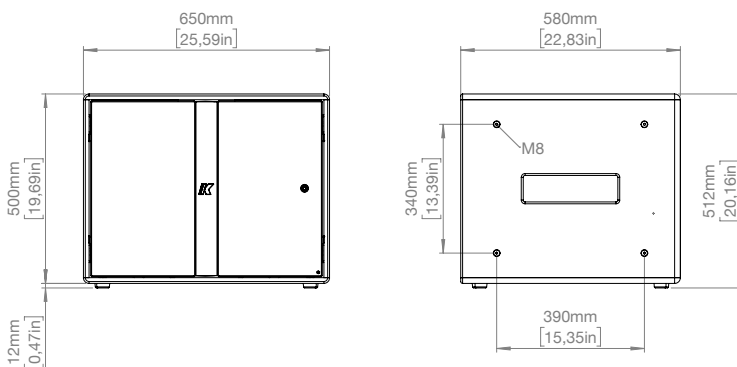
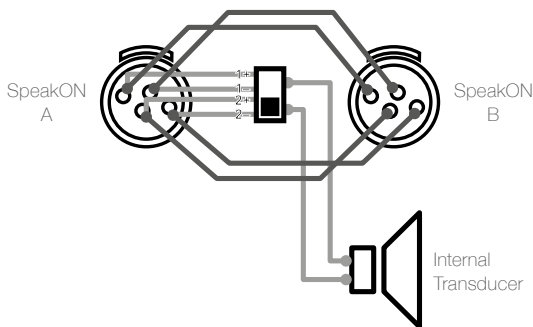


Description

The Thunder-KS2 I is a compact passive subwoofer featuring a long excursion 18" neodymium magnet woofer with 3" voice coil.

The Thunder-KS2P I features 2x SpeakON NL4 connectors that allow to input the signals from external active systems or amplifiers, with either a 2-wire or a 4-wire cable, as well as route the signal to other loudspeakers.

Input terminals selection and link wiring.



| Technical Specifications | |
|---------------------------------|--|
| Type | Passive subwoofer |
| Transducers | 18" neodymium magnet woofer |
| Frequency Response ¹ | 35 Hz – 150/450 Hz (-6 dB) crossover dependant |
| Crossover | External DSP-controlled, Low Pass @ 150 Hz up to 450 Hz, preset dependant |
| Max SPL ² | 137 dB peak |
| Nominal Impedance | 8Ω |
| Power handling | 1400 W peak |
| Coverage | Omni |
| Connectors | Speaker input/parallel output 2x SpeakON NL4 Input terminals selectable: IN+Link 1+/1- (parallel), Link 2+/2- Link 1+/1- , IN+Link 2+/2- (DEFAULT) |

| Handling & Finishes | |
|---------------------|--|
| IP Rating | IP54 |
| Dimensions (WxHxD) | 650 x 500 x 580 mm (25.6 x 19.7 x 22.8 in) |
| Weight | 34 kg (75 lb) |

¹ Extensible with dedicated preset according to the midrange crossover point.
² Maximum SPL is calculated using a signal with crest factor 4 (12dB) measured at 1 m.

Notes:
Passive loudspeakers require dedicated presets loaded onboard K-array amplifiers.
New materials and designs are introduced into existing products without previous notice.
Present systems may differ in some respects from those presented in this document.

